

## MACHINE DESCRIPTION

The RC65 trayfiller is mainly suggested to fill in trays, punnets and pots which have to be sown.

The machine is user friendly and strong, equipped with innovative system to get a filling with adjustable soil density and with an excellent uniformity of filling.

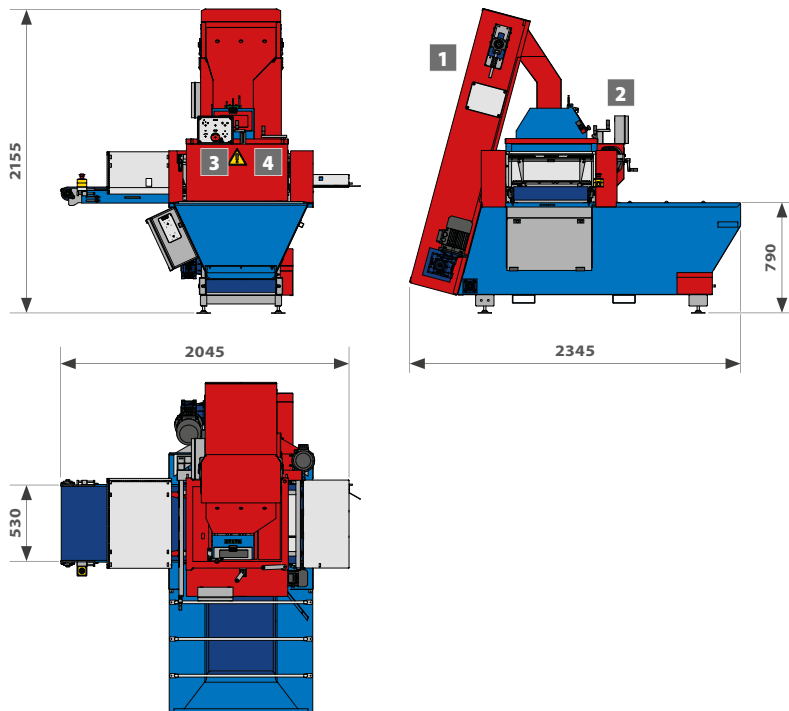
Adjustable rotor to choose the soil density in the cells, makes the machine versatile for any kind of use.

The trayfiller can be used as single machine or in line with other machines.

page 58-59

## ACCESSORIES

- 47 48 49 50 51 52 53 54 56 57 58 59



## TECHNICAL SPECIFICATIONS

- 1 Soil elevator with double chain.
- 2 Electric control panel start-stop, emergency and limit switch.
- 3 Double auger and tray cleaning brush.
- 4 Linear rotor with 4 blades.
  - Available in left and right version.

TECHNICAL DATA	M.U.	RC65	RC65 A	RC65 E
HOURLY PRODUCTION (max)	trays/hour	600	600	600
TRAYS DIMENSIONS (max)	mm	600x400	750x400	750x500
TRAYS HEIGHT (max)	mm	200	200	200
WEIGHT	kg	585	585	585
INSTALLED POWER	kW	4,5	4,5	4,5
HOPPER WITH BELT AT THE BOTTOM	l	700	700	700



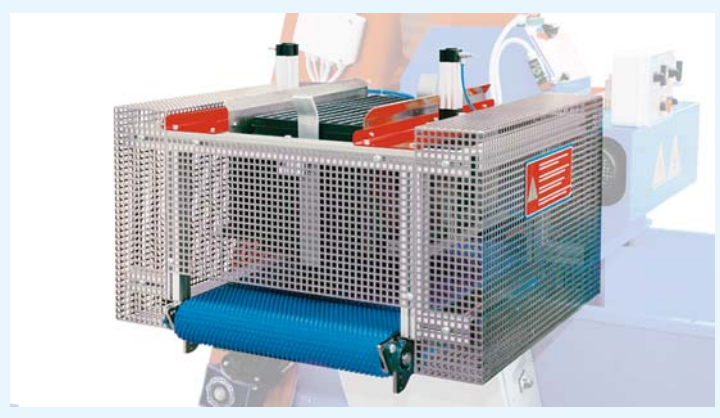
**RC65**  
TRAYFILLER - up to 600 trays/hour



URBINATI

# ACCESSORIES

## TRAYFILLER

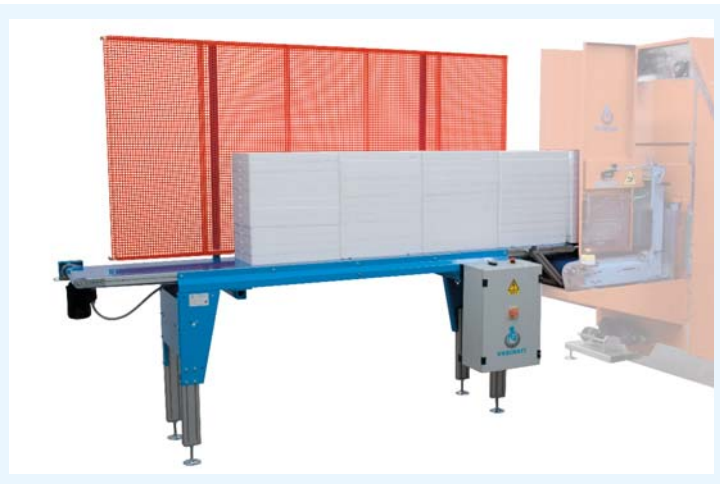


Electropneumatic **denester** with **nr. 3 movements** for carrier, thermoformed, injection, pot carrier and polystyrene.

47

**AVAILABLE ON:**

ALL TRAYFILLER



**Feeding belt** for single trays or empty stacks for denester  
L = 3300/4300/5300/6300 mm.

50

**AVAILABLE ON:**

ALL TRAYFILLER



Electropneumatic **denester** with **nr. 2 movements**, adjustable with a single handle; for polystyrene trays and carrier.

48

**AVAILABLE ON:**

ALL TRAYFILLER



**Denester** for heavy plastic trays at injection and polystyrene mod. DISPES.

49

**AVAILABLE ON:**

ALL TRAYFILLER

- Advancement belt with electronically **adjustable speed from 200 to 800 trays/hour**.
- **Soil compactor** with rotating movement and eccentric for **adjustable density**.
- Device **for hopper emptying** with frequency driver.
- Peat hopper extension with **additional capacity of 500 l**.

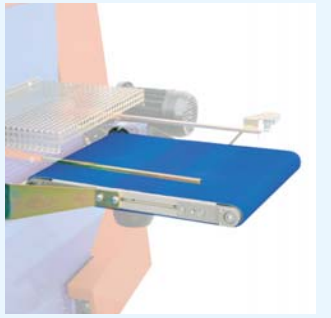
**AVAILABLE ON:** RT12

- **Vibrating table** on conveyor belt.

**AVAILABLE ON:** ALL TRAYFILLER

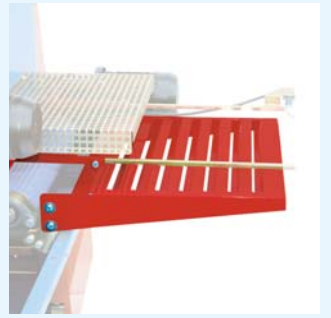


These are **some of the accessories available** for our **soil trayfiller**.  
Our **engineering dept.** is at your disposal **to suggest the best solutions** for your needs.



**51** Accelerator belt  
530 mm at the outlet  
for the connection  
to other machines.

**AVAILABLE ON:**  
ALL TRAYFILLER



**52** Fixed table at the outlet.

**AVAILABLE ON:**  
RC65, RE14



**53** Belt for the recycling  
of the exceeding soil.

**AVAILABLE ON:**  
RC65, RE14



**54** Rapid adjustment with handles of tray guide width.

**AVAILABLE ON:**  
RN12, RC65, RT12



**55** Hopper 900 l.

**AVAILABLE ON:**  
RN12, RT12



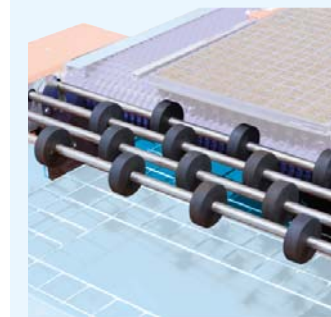
**56** Hopper 1000 l, complete  
with bulkhead and  
nr. 2 turning wheels.

**AVAILABLE ON:**  
RC65, RE14



**57** Adjustment device  
for trays with legs.

**AVAILABLE ON:**  
RN12, RC65, RE14



**58** Motorized exit roller  
with nr. 4 rows.

**AVAILABLE ON:**  
ALL TRAYFILLER



**59** Wheels kit for manual  
movement.

**AVAILABLE ON:**  
RC65, RE14

