



RE14 complete with wheels for manual movement.

### TECHNICAL SPECIFICATIONS

- 1 Soil elevator with double chain. and limit switch.
- 2 3bladeshorizontalrotorwithadjustablespeed.
- 3 Brush for transversal tray cleaning.
- 4 Electric control panel start-stop, emergency
- 5 Hopper700lwithbottombeltslidingonrollers.
  - Available in left and right version.

TECHNICAL DATA	M.U.	RE14	RE14 A	RE14 E
HOURLY PRODUCTION (max)	trays/hour	600	600	600
TRAYS DIMENSIONS (max)	mm	600x400	750x400	750x500
TRAYS HEIGHT (max)	mm	150	150	150
WEIGHT	kg	525	525	525
INSTALLED POWER	kW	2,5	2,5	2,5
HOPPER CAPACITY	l	700	700	700

### MACHINE DESCRIPTION

The RE14 trayfiller is recommended to fill in trays both for seeding and transplanting. Realized to satisfy any filling request: made for expanded polystyrene, thermoformed and also for shuttle trays.

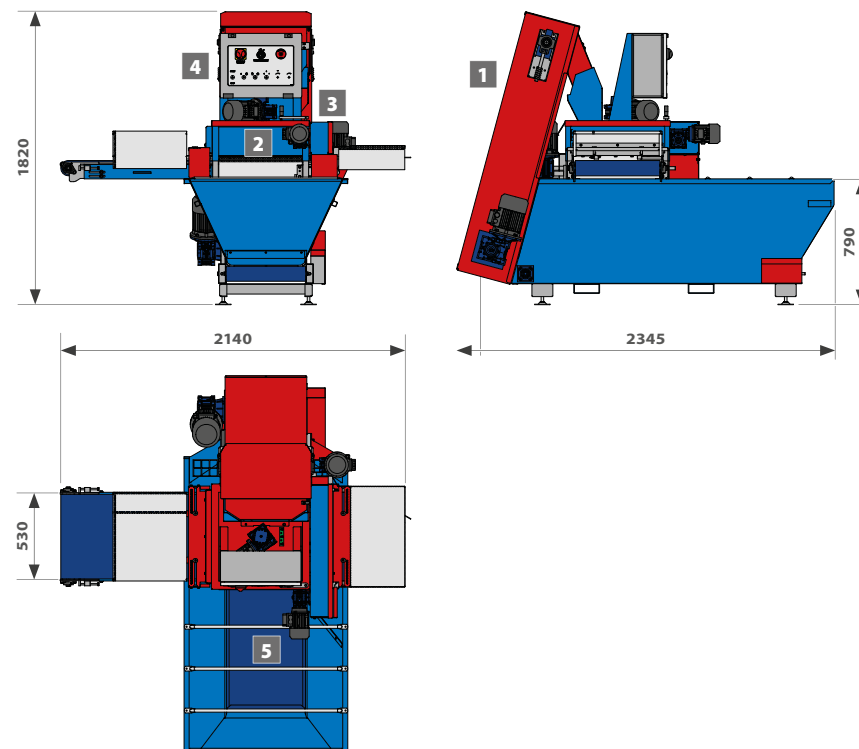
The machine is easy to use and strong, equipped with a horizontal 3 blades rotor filling system with adjustable speed so to achieve the desired soil density.

The trayfiller can be used as single machine or in line with other machines.

### ACCESSORIES

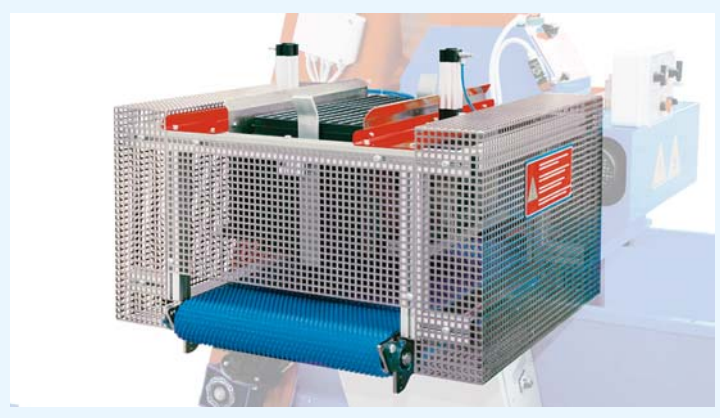
page 58-59

- 47
- 48
- 49
- 50
- 51
- 52
- 53
- 56
- 57
- 58
- 59



# ACCESSORIES

## TRAYFILLER

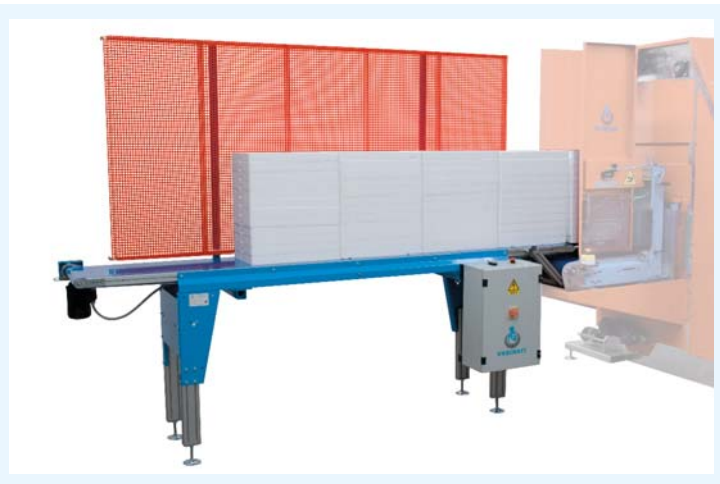


Electropneumatic **denester** with **nr. 3 movements** for carrier, thermoformed, injection, pot carrier and polystyrene.

47

**AVAILABLE ON:**

ALL TRAYFILLER



**Feeding belt** for single trays or empty stacks for denester  
L = 3300/4300/5300/6300 mm.

50

**AVAILABLE ON:**

ALL TRAYFILLER



Electropneumatic **denester** with **nr. 2 movements**, adjustable with a single handle; for polystyrene trays and carrier.

48

**AVAILABLE ON:**

ALL TRAYFILLER



**Denester** for heavy plastic trays at injection and polystyrene mod. DISPES.

49

**AVAILABLE ON:**

ALL TRAYFILLER

- Advancement belt with electronically **adjustable speed from 200 to 800 trays/hour**.
- **Soil compactor** with rotating movement and eccentric for **adjustable density**.
- Device **for hopper emptying** with frequency driver.
- Peat hopper extension with **additional capacity of 500 l**.

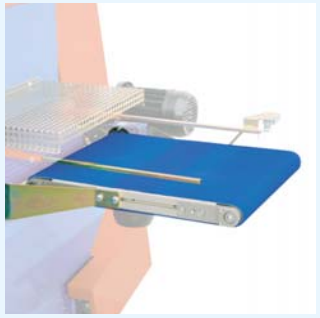
**AVAILABLE ON:** RT12

- **Vibrating table** on conveyor belt.

**AVAILABLE ON:** ALL TRAYFILLER

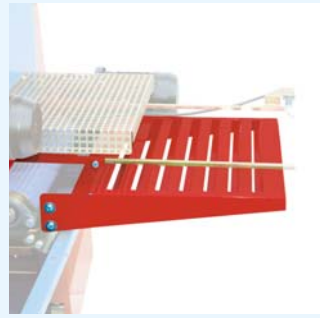


These are **some of the accessories available** for our **soil trayfiller**.  
Our **engineering dept.** is at your disposal **to suggest the best solutions** for your needs.



**51** Accelerator belt  
530 mm at the outlet  
for the connection  
to other machines.

**AVAILABLE ON:**  
ALL TRAYFILLER



**52** Fixed table at the outlet.

**AVAILABLE ON:**  
RC65, RE14



**53** Belt for the recycling  
of the exceeding soil.

**AVAILABLE ON:**  
RC65, RE14



**54** Rapid adjustment with handles of tray guide width.

**AVAILABLE ON:**  
RN12, RC65, RT12



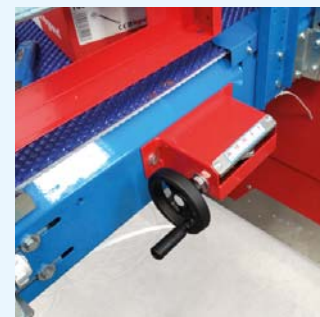
**55** Hopper 900 l.

**AVAILABLE ON:**  
RN12, RT12



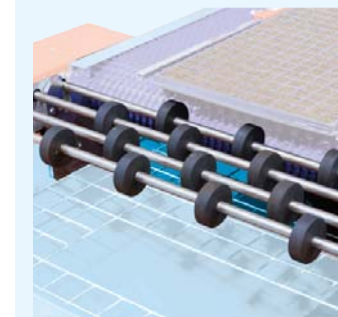
**56** Hopper 1000 l, complete  
with bulkhead and  
nr. 2 turning wheels.

**AVAILABLE ON:**  
RC65, RE14



**57** Adjustment device  
for trays with legs.

**AVAILABLE ON:**  
RN12, RC65, RE14



**58** Motorized exit roller  
with nr. 4 rows.

**AVAILABLE ON:**  
ALL TRAYFILLER



**59** Wheels kit for manual  
movement.

**AVAILABLE ON:**  
RC65, RE14

